



Procedures

A Series T and D Motor Voltage Change

This procedure will provide you with step by step instructions to convert the operating voltage of dual voltage motors.

T Motor and D Motor

1. Remove cap screws holding motor to volute
2. Slowly, and carefully lift motor straight up (Do not allow rotor to scrub against stator!) Lift motor part way and disconnect seal probe. Failure to disconnect will cause the probe to become damaged and rip out (Fig.1)
3. Remove wavy washer from upper bearing and set it aside.
4. Turn motor over and gently untuck wire bundles from around the stator winding. (Fig. 2)
5. Record the wires in each of the bundles. If there are 4 bundles, the pump is wired for 230V. If there are 6 bundles, the pump is wired for 460V.
6. Identify and separate the bundle that has wire number 1. Also separate any bundles that have numbers 4, 5, and 6. Note: Wires may be color coded or numbered. See table below for identification.



Fig. 1

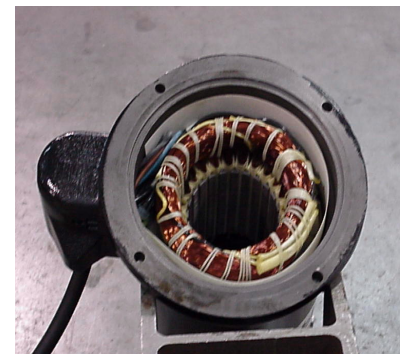


Fig. 2

Wire Number	1	2	3	4	5	6	7	8	9
Wire Color	Black	Yellow	Blue	Red	Green	Brown	White	Violet	Grey

7. Re-connect the wires as seen in (Fig. 4).
8. Separate the wire bundle with wire number 2 and re-connect as seen in (Fig 4).
9. Separate the wire bundle with wire number 3 and re-connect as seen in (Fig 4).

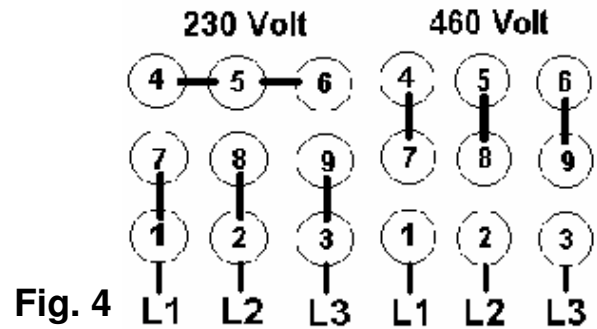


Fig. 4

10. Double-check all wires have been connected correctly.
11. Gently tuck wire bundles behind stator windings, being certain nothing extends below the motor housing. (Fig. 5)
12. Place wavy washer back on top of upper bearing and verify large motor housing o-ring is positioned in its groove.
13. Slowly and carefully lower motor housing onto pump (**DO NOT ALLOW ROTOR TO SCRUB AGAINST STATOR.**) For T-motors, re-connect seal probe.

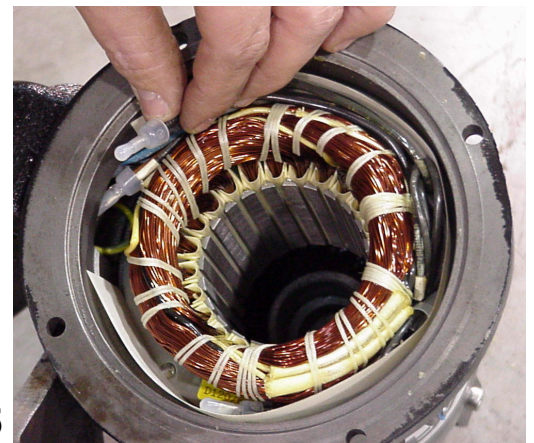


Fig. 5

14. Re-attach motor housing to volute with cap screws.
15. **Record voltage change in pump service manual.**
16. Pump is now ready to operate.