



2" Threaded Discharge with 1" Rails

HOMA has updated our 2" threaded autocoupling to accept 1" guide rails. The larger 1" guide rails maintain alignment in today's deeper sumps and provide additional strength for our larger, high head GRP pumps. Original design 2" autocoupling (8604005) along with the 2" x 21/2" (8604015x2) will remain available as optional construction.



Original 1/2" rail version
PN 8604005

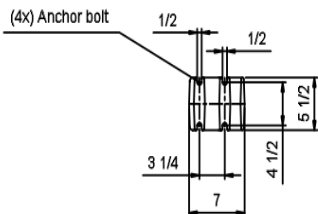
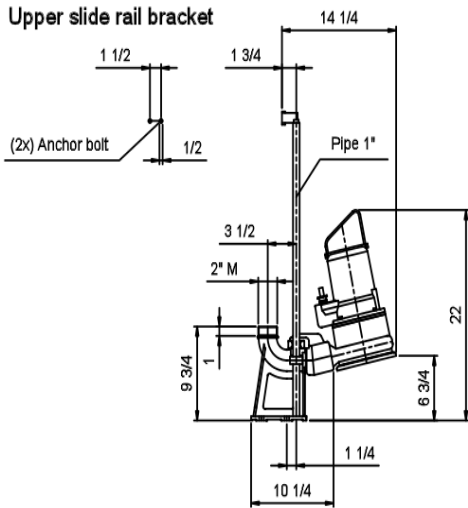
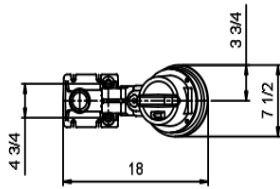
Updated 1" rail version
PN 8604018

Added Benefits

No more trapped air. Our new guide claw design connects to the base at an angle. Air will not get trapped under the pump when liquid level falls below pump.

Stainless steel upper guide rail bracket, as shown, is standard with the updated design.

The mounting dimensions (footprint) remain the same as our original 2" threaded autocoupling design.



2" Threaded Autocoupling for 1" Rails