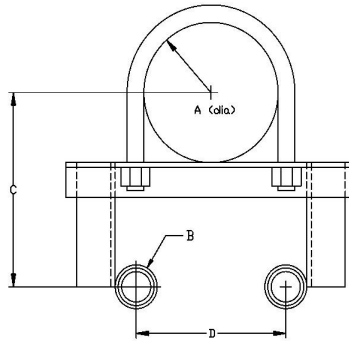


Stainless Steel Intermediate Guide Rail Bracket ID



Dimensions				
ID Number	A	B	C	D
A-1	2"	1/2"	3 1/2"	3 9/16"
A-2	2"	1"	5 1/8"	4 3/4"
A-3	2"	1 1/2"	6 11/16"	6 11/16"
A-4	3"	1 1/2"	6 11/16"	6 11/16"
A-5	2 1/2"	1"	5 1/8"	5 1/2"
A-6	2"	1"	3 1/2"	4 3/4"
A-7	4"	1 1/2"	8"	7 5/8"
A-8	6"	2"	11 1/8"	10 3/4"
A-9	8"	2 1/2"	13 1/2"	15 3/8"
A-10	10"	2 1/2"	16 1/2"	15 3/8"
A-11	12"	2 1/2"	17 5/8"	17"
A-12	2"	1"	4"	4 3/4"

plus or minus 1/8"

Description	Part Number	316 SS	304 SS	ID Number
1 1/4" Autocoupling	8604001	8732216	8732116	A-6
1 1/4" Autocoupling with Check Valve	8604002	8732216	8732116	A-6
1 1/2 x 2" Autocouplings	8604000	8732204	8732104	A-1
2" GRP 10-50 / TP 30/49 Autocoupling	8604005	8732204	8732104	A-1
2" Stainless Steel Autocoupling	8604011	8732218	n/a	A-12
2" GRP 59/79/118 Autocoupling	8604012	8732205	8732105	A-3
2 x 2 1/2 Stainless Steel Autocoupling	8604014	8732218	n/a	A-12
2" Autocoupling w/ 1" Rail Angled Claw	8604018	8732216	8732116	A-6
2" Autocoupling w/ 1" Rail Straight Claw	8604019	8732216	8732116	A-6
2 1/2 x 2" Autocoupling w/ 1" Rails (SP)	8604015x2	8732202	8732102	A-2
2 1/2" TP50 Autocoupling	8604015	8732202	8732102	A-2
2 1/2" CTP50 SS Autocoupling	8604017	8732119	n/a	A-5
3" TP Series Autocoupling w/elbow	8604035	8732203	8732103	A-4
3" A Series Flanged w/elbow	8604025	8732203	8732103	A-4
3 x 4" Autocoupling flanged w/elbow	8604060	8732206	8732106	A-7
4" Autocoupling w/elbow	8604055	8732206	8732106	A-7
4 x 6" Autocoupling w/elbow	8603632	8732207	8732107	A-8
6" Autocoupling w/elbow	8604070	8732207	8732107	A-8
6 x 8" Autocoupling w/elbow	8604105	8732220	8732120	A-9
8" Autocoupling	8604100.01	8732220	8732120	A-9
8 x 10" Autocoupling w/elbow	8604120	8732209	8732109	A-10
10" Autocoupling w/elbow	8604110	8732209	8732109	A-10
10 x 12" Autocoupling w/elbow	8604130	8732210	8732110	A-11
12" Autocoupling	8604090	8732210	8732110	A-11
12" Autocoupling ANSI GCF	8604092	8732210	8732110	A-11