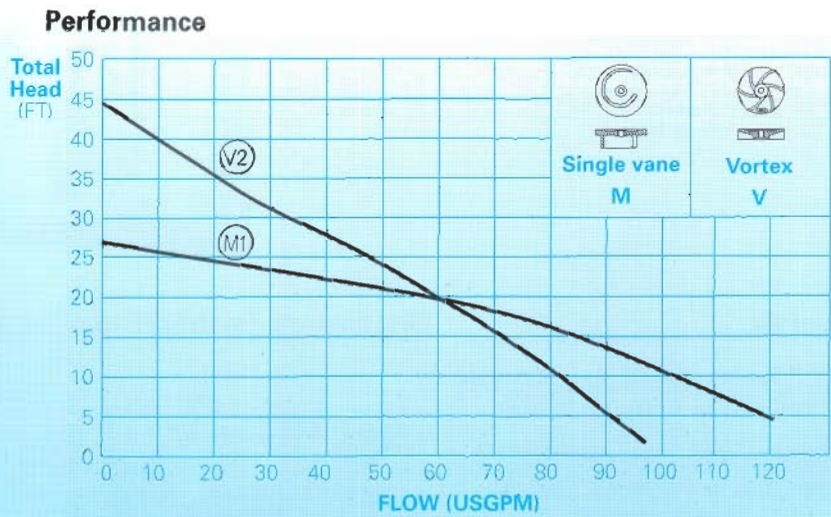


Submersible Wastewater Pumps 1 1/2" Discharge – 1" Solids

TP 28



Application

The HOMA TP 28 Series are ideal for pumping drainage water or effluent in residential, commercial or industrial applications. By their 1" spherical clearance they are especially able to pump liquids with larger suspended solids like fibres, textiles etc.

Typical Fluids Handled Are:

- Clear water and drainage water
- Effluent containing soft solids
- Liquids to 140° F can be handled intermittently.
- PH range 5 – 9 with specific gravity to 1.1

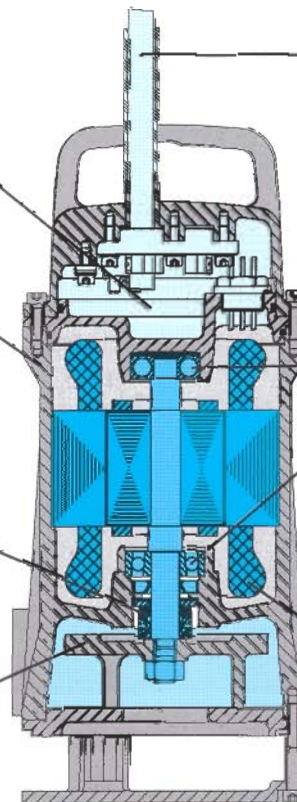
Features

Cable connection chamber totally isolated from motor housing

Cast iron construction with epoxy coating for maximum corrosion resistance

Combination of mechanical seal (Silicon-Carbide/Silicon -Carbide) and lip seal

Impellers are provided in Single Vane configuration for large solids handling, and in Vortex configuration for smooth vibration free operation and for handling fibrous or air entrained materials



Extra long replaceable power cable of 30' length is retained and sealed with a strain relief gland

Deep groove upper and single row lower ball bearings assure long life and reliability

Motor windings provided with class F insulation. Degree of protection IP 68

Motor Construction

Motor Type:
enclosed submersible

NEMA insulation code:
class F

Service Factor:
1.15

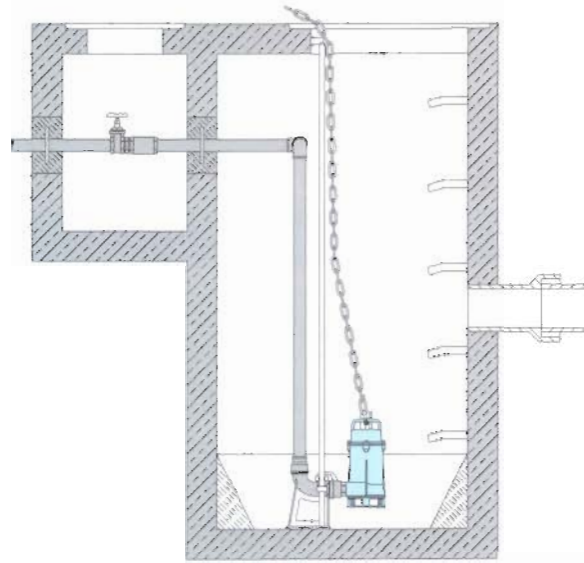
NEMA Design Type:
B

Standard Cable Length:
30 ft

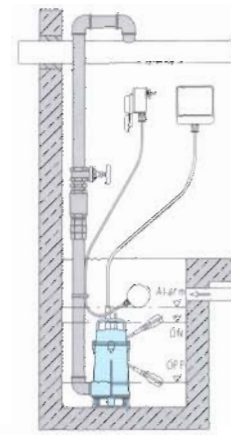
Available Motor Voltages:
1 Phase: 115 V, 200V, 230 V
3 Phase: 200 V, 230 V, 380 V,
460 V, 575 V

Installations

Wet pit with autocoupling



Basestand



Materials

Motor housing, Volute and Impeller:
Cast Iron ASTM A 48, class 40B

Mechanical seal – Impeller side:
Silicon Carbide vs Silicon Carbide

Shaft seal – Motor side:
Lip seal

O-Rings:
Nitrile rubber

Upper bearing:
Deep groove Ball Bearing

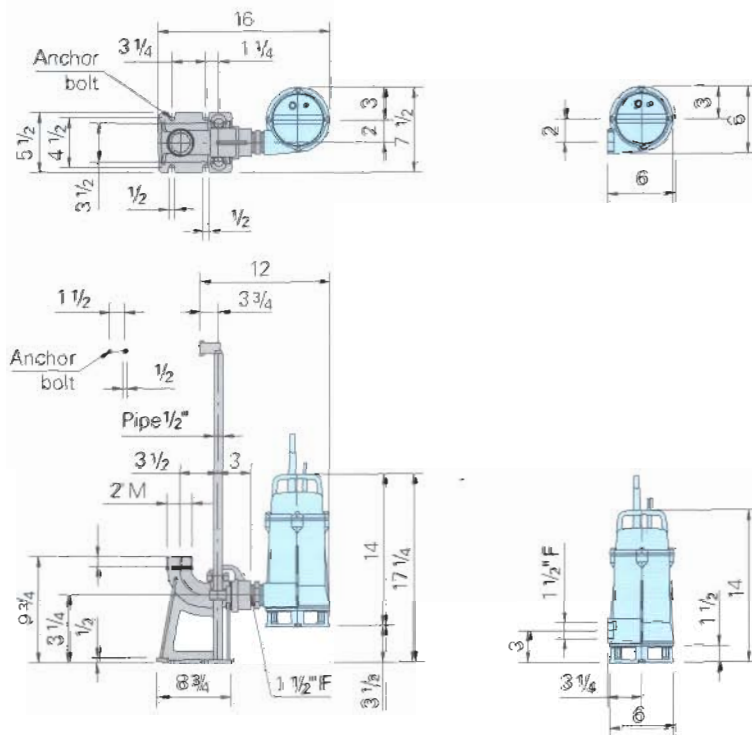
Lower bearing:
Single row angular Ball Bearing

Power cable sheathing:
Nitrile rubber

Shaft:
AISI 430 F Stainless steel

Fasteners:
AISI 304 Stainless steel

Dimensions (inches) (Tolerance +/- 1/4")



Technical Data

Curve No.	Pump Type	Rated B.H.P.	Phase	Voltage (V)	Full Load Amps	Speed (rpm)	Weight (LBS)	NEMA code
M 1	TP28M13/2/1	0.9	1	230	5.7	3450	20	F
M 1	TP28M13/2/3	0.9	3	230/380/460	3.8/2.3/1.9	3450	20	F
V 2	TP28V16/2/1	1.1	1	230	6.6	3450	22	G
V 2	TP28V16/2/3	1.1	3	230/380/460	4.0/2.4/2.0	3450	22	G