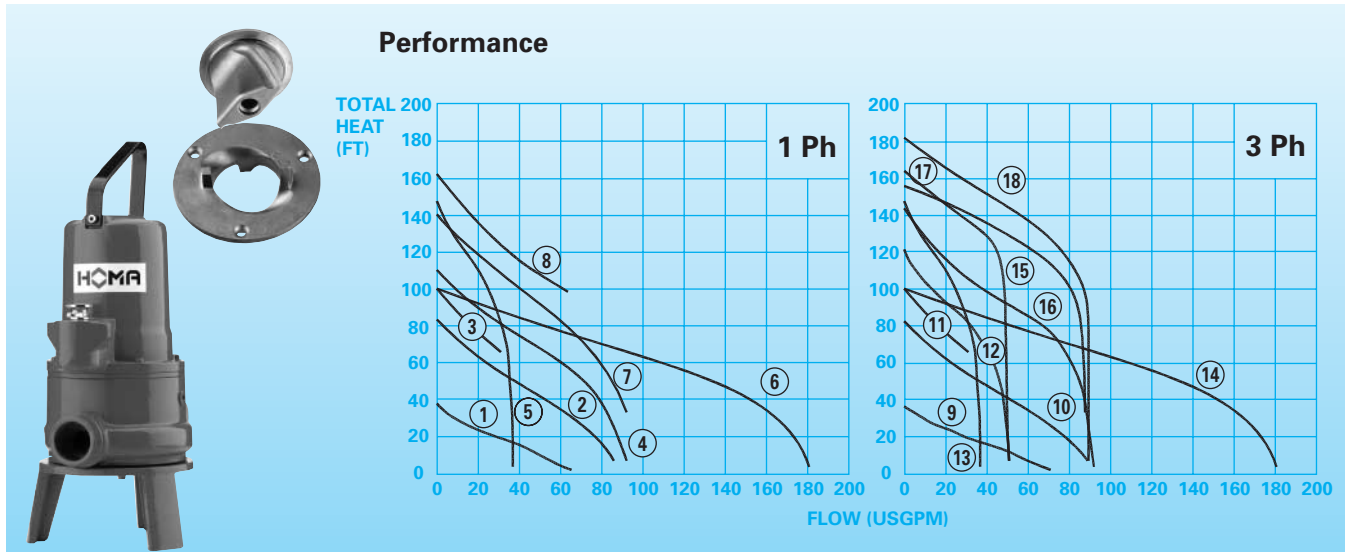


Electric Submersible Wastewater Pumps with Cutter System 2" Discharge

Barracuda GRP 10-50



Application

HOMA Barracuda GRP Grinder Pumps are designed for high-head pumping applications of waste water and sewage. Their hard stainless steel cutter system grinds all soft solids to small pieces, enabling the pumps to provide high pressure pumping at low motor rating. It also allows the use of cost saving small diameter pipework.

The Barracuda GRP series pumps are typically used in:

- Commercial and domestic wastewater and sewage containing soft solids
- Small municipal collection systems
- Optional Factory Mutual (FM) label for Class I, Div 1 EX construction.

Features

Integral lift handle is arched to permit self centering of lifting device

Cast iron construction with epoxy coating for maximum corrosion resistance

GRP 10 / GRP 16 with combination of mechanical seal and lip seal. Models from GRP 26 with two mechanical seals (Silicon Carbide / Silicon Carbide)

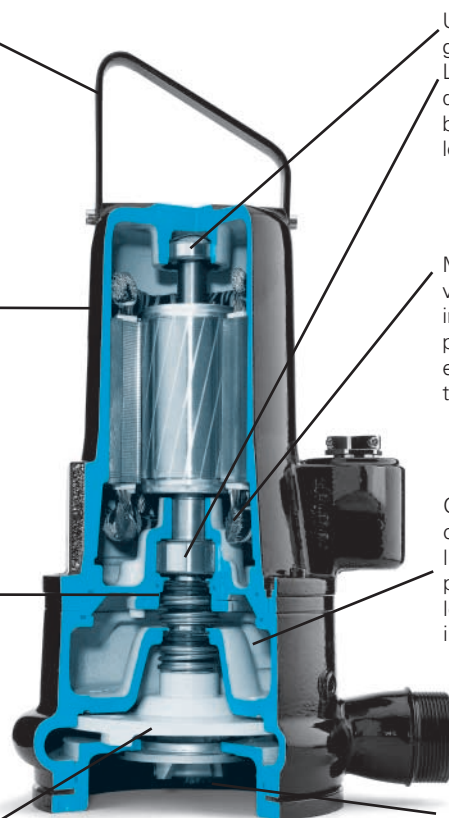
High head open multi-channel impeller for smooth vibration free operation

Upper bearing: deep groove ball bearing
Lower bearing: double row angular ball bearing assure long life and reliability

Motor windings provided with class F insulation and fully protected by embedded auto reset thermal switches

Oil filled seal chamber positively lubricates seals and permits a seal leakage probe to be installed

55 HRC hardened stainless steel cutter system consisting of stationary cutter ring and blade rotor



Motor Construction

Motor Type:

enclosed submersible

NEMA insulation code: class F

Service Factor: 1.15

NEMA Design Type: B

Standard Cable Length: 33 ft

Available Motor Voltages:

1 Phase: 115 V, 200 V, 230 V,

3 Phase: 200 V, 230 V, 380 V,
460 V, 575 V

Optional Expulsion Proof

construction:

Factory Mutual approved for Class I,
Div. 1, Group C & D.

Materials

Motor housing, Volute and Impeller:

Cast Iron ASTM A 48, class 40B

Cutter:

55 HRC hardened stainless steel

Mechanical seal – Impeller side:

Silicon Carbide vs Silicon Carbide

Shaft seal – Motor side:

Models from GRP 26: mechanical

seal Silicon Carbide vs Silicon

Carbide GRP 10/GRP 16: lip seal

O-Rings: Nitrile rubber

Upper bearing:

Deep groove Ball Bearing

Lower bearing:

Double row angular Ball Bearing

Power cable sheathing:

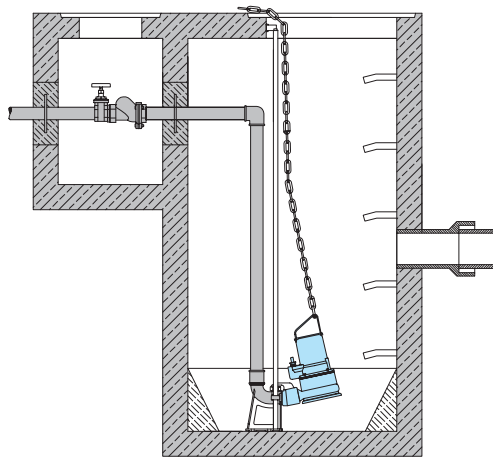
Nitrile rubber

Shaft: AISI 430 F

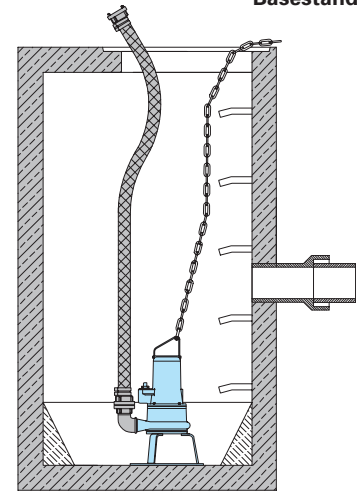
Fasteners: AISI 304 SS

Installations

Wet pit with autocoupling

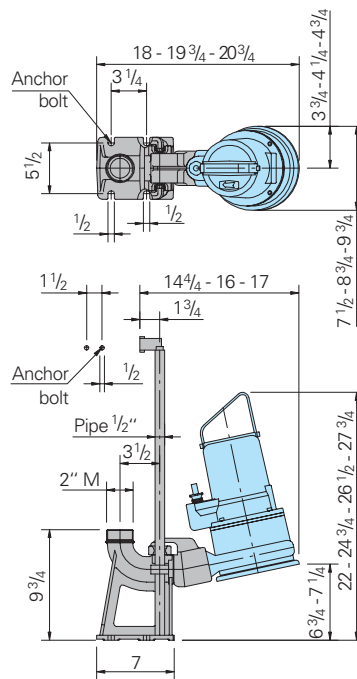


Basestand

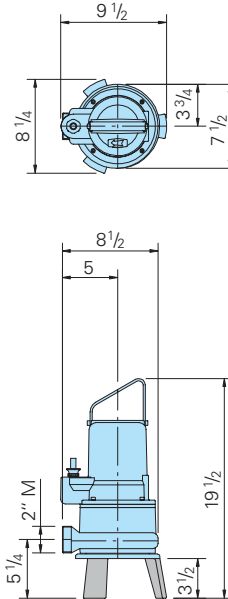


Dimensions (inches) (Tolerance +/- 1/4")

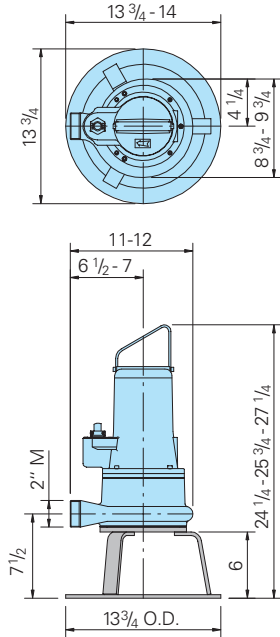
Pump Type: GRP 10 – GRP 50



GRP 10 – GRP 21



GRP 24 – GRP 50



Technical Data

Curve No.	Pump Type	Rated B.H.P.	Phase	Voltage (V)	Full Load Amps	Speed (rpm)	Weight (LBS)	NEMA code
1	GRP10/1	1.1	1	230	5.0	3450	55	F
2	GRP16/1	1.6	1	230	8.0	3450	57	F
3	GRP21/1	1.3	1	230	8.0	3450	57	F
4	GRP26/1	2.4	1	230	12.0	3450	73	E
5	GRP28/1	3.4	1	230	13.7	3450	97	F
6	GRP34/1	4.0	1	230	20.0	3450	97	F
7	GRP36/1	4.0	1	230	20.0	3450	97	F
8	GRP41/1	4.4	1	230	20.0	3450	97	F
9	GRP10/3	0.8	3	230/380/460	3.2/1.9/1.6	3450	55	G
10	GRP16/3	1.5	3	230/380/460	6.2/3.7/3.1	3450	57	G
11	GRP21/3	1.3	3	230/380/460	6.2/3.7/3.1	3450	57	G
12	GRP24/3	3.1	3	230/380/460	8.0/4.8/4.0	3450	73	F
13	GRP28/3	3.4	3	230/380/460	8.4/5.1/4.2	3450	97	F
14	GRP34/3	4.1	3	230/380/460	10.4/6.2/5.2	3450	97	F
15	GRP37/3	4.6	3	230/380/460	10.4/6.4/5.2	3450	97	F
16	GRP41/3	4.1	3	230/380/460	10.4/6.2/5.2	3450	97	F
17	GRP44/3	5.5	3	230/380/460	14.2/7.5/7.1	3450	123.5	F
18	GRP50/3	6.8	3	230/380/460	17.0/10.3/8.5	3450	123.5	F