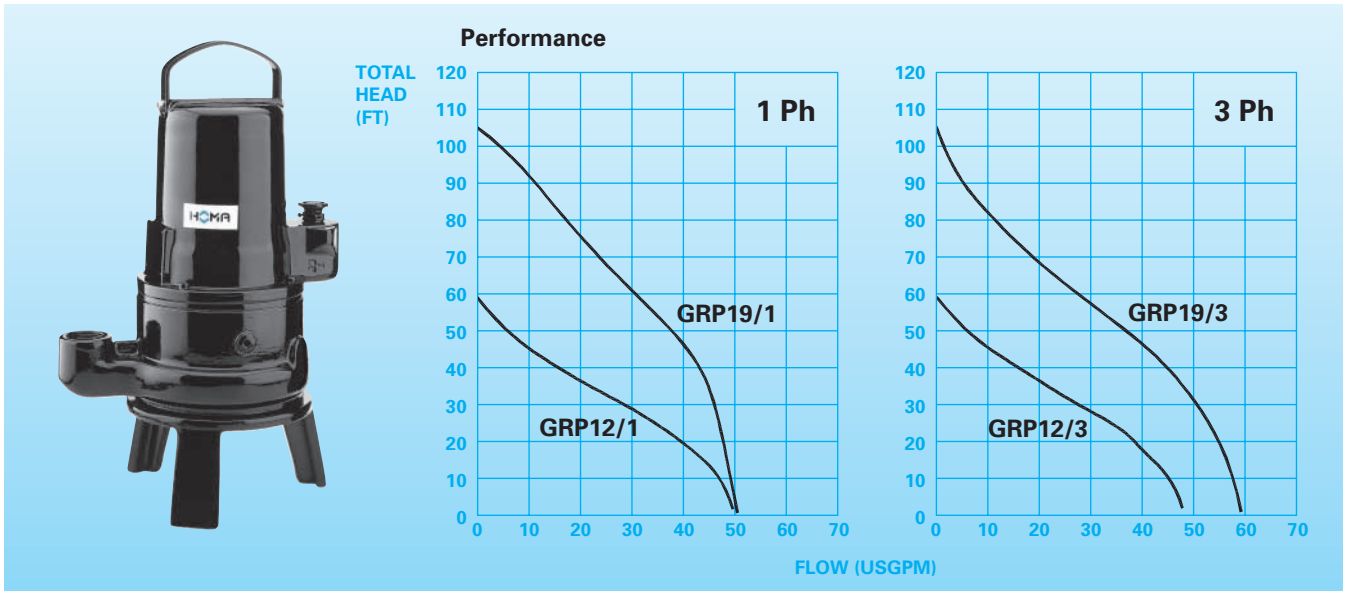


# Electric Submersible Grinder Pumps Discharge 1 1/4"

## Barracuda GRP 12 / GRP 19



### Application

HOMA Barracuda GRP Grinder Pumps are designed for high-head pumping applications of waste water and sewage. Their hardened stainless steel cutter system grinds all soft solids to small pieces, allowing the use of cost saving small diameter pipework, enabling the pumps to provide high pressure pumping at low motor rating.

The Barracuda GRP series pumps are typically used in:

- Residential pressure sewer systems
- Commercial and domestic waste water and sewage containing soft solids
- Small municipal collection systems
- Optional Factory Mutual (FM) label for Class I, Div 1 EX construction.

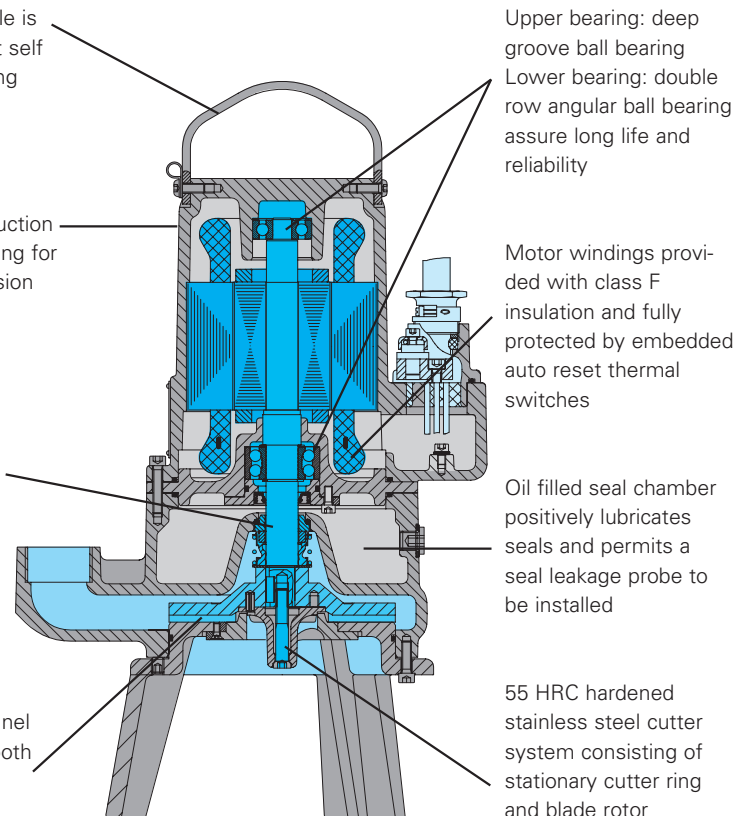
### Features

Integral lift handle is arched to permit self centering of lifting device

Cast iron construction with epoxy coating for maximum corrosion resistance

Combination of mechanical seal (silicon carbide / silicon carbide) and lip seal.

Open multi-channel impeller for smooth vibration free operation



## Motor Construction

### Motor Type:

Enclosed submersible

### NEMA Insulation Code:

Class F

Service Factor: 1.15

### NEMA Design Type: B

### Standard Cable Length:

33 ft

### Available Motor Voltages:

1 Phase: 115 V, 200 V, 230 V

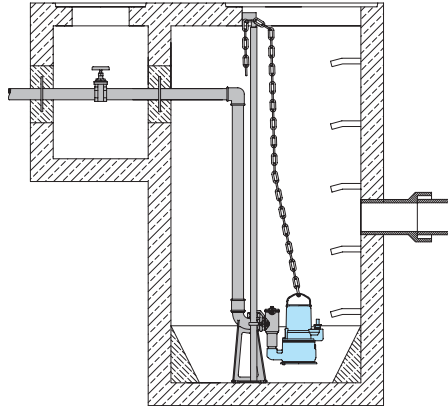
3 Phase: 200 V, 230 V, 380 V  
460 V, 575 V

### Optional Explosion Proof construction:

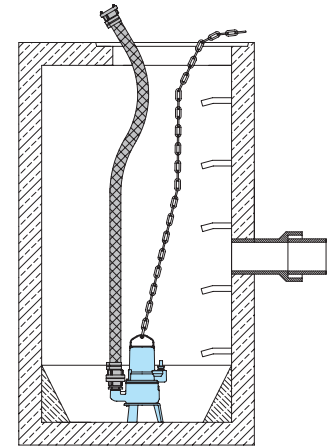
Factory Mutual approved for Class I,  
Div. 1, Group C & D.

## Installations

### Wet pit with autocoupling



### Basestand



## Materials

### Motor housing, volute and Impeller

Cast Iron ASTM A 48, Class 40B

### Cutter

55 HRC hardened stainless steel

Mechanical seals – Impeller side  
Silicon Carbide vs. Silicon Carbide

### Shaft seal – Motor side

Lip Seal (Nitrile Rubber)

### O-Rings:

Nitrile Rubber

### Upper Bearing:

Deep groove Ball Bearing

### Lower Bearing:

Double row angular ball bearing

### Power cable sheathing:

Nitrile Rubber

### Shaft:

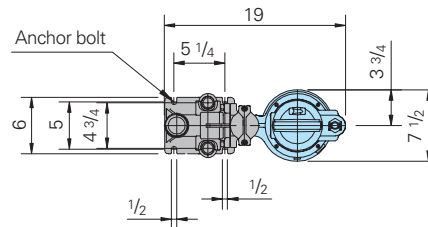
AISI 430 F

### Fasteners:

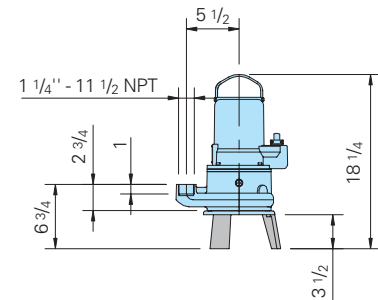
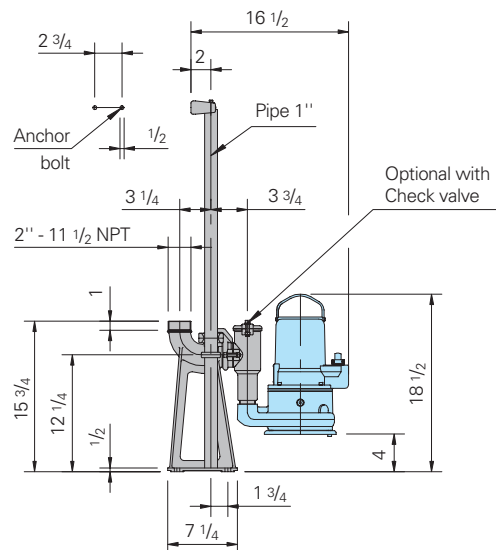
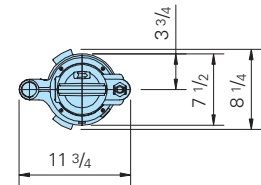
AISI 304 SS

## Dimensions (inches) (Tolerance +/- 1/4")

### Autocoupling (with optional check valve):



### Basestand:



## Technical Data

Pump Type	Rated B.H.P.	Phase	Voltage (V)	Full Load Amps	Speed (rpm)	Weight (LBS)	NEMA code
GRP 19/1	2.0	1	230	8.3	3450	57	G
GRP 19/3	2.0	3	230/ 380 / 460	5.8 / 3.5 / 2.9	3450	57	J
GRP 12/1	1.2	1	230	5.2	3450	55	G
GRP 12/3	1.2	3	230/ 380 / 460	3.6 / 2.2 / 1.8	3450	55	J